
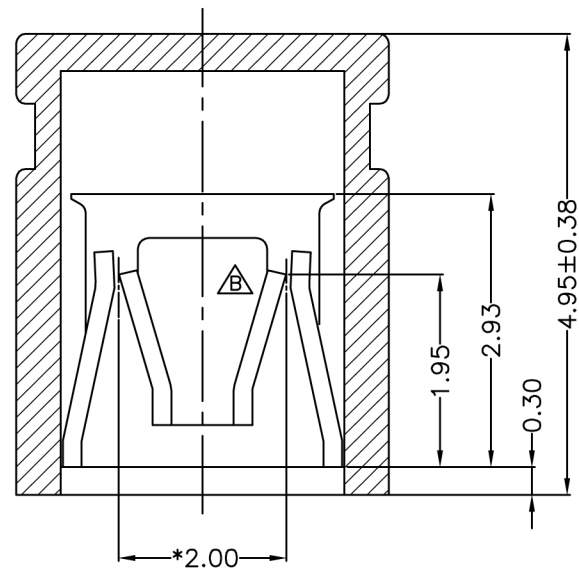
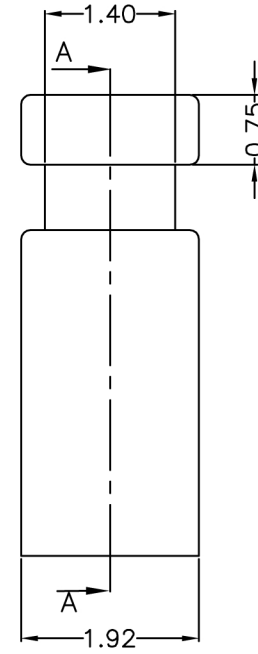
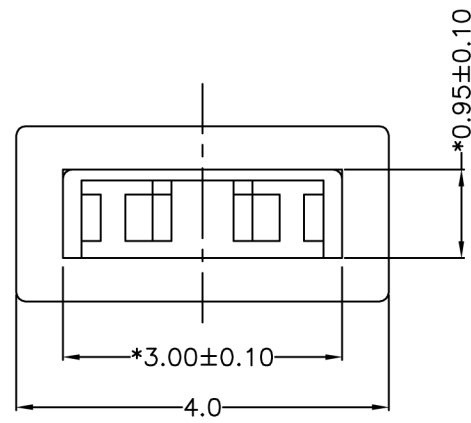


REV.	NOTES	DATE
A	RELEASED	2009/07/01
B	依實物修正 	2013/04/02



SEC A-A



## ORDER CODE

**2181**   **X**   **X**   **X**   **E**

**DIMENSION**  
A: 4.95mm

**TYPE**  
B : CLOSE

**COLOR**  
A : BLACK

RoHS

### NOTES

- MATERIAL
  - Insulator: P.B.T+15% G.F(UL94V-0)
  - Contact: Phosphor Bronze
  - Plating: Gold Or Nickel Plated
- SPECIFICATION
  - Current Rating: 1 Amp
  - Current Voltage: 30V RMS Max
  - Dielectric Withstanding: AC 500V min Per minute
  - Insulation Resistance: 500M ohms min At DC 500V
  - Contact Resistance: 20m ohms Max
  - Operating Temperature: -45°C ~ 105°C

"\*"標示是重點管控尺寸

單位(UNITS)	mm
數量(QTY)	N/A
材料(MTL)	SEE NOTE
處理(FINISH)	SEE NOTE



易昕企業有限公司  
**LEAMAX ENTERPRISE CO.,LED**

DIMENSIONS TOLERANCE <b>METRIC</b> .0= ±.38 .00= ±.25 .000= ±.15 .0000= ± ANG.= ± 2'	繪圖(DRAW)	<b>Stella</b> 2013.05.17	圖名(NAME)	<b>Mini Jumper 2.0mm Close Type H: 4.95mm</b>				
	設計(DE' N)		料號(PART NUMBER)	<b>2181-ABAE</b>				
	審校(CH' K)		圖號(DRAW NUMBER)	<b>2181-001</b>				
	核准(APP' D)	<b>James</b> 2013.05.17	圖檔(FILE NAME .DWG)	E:GCT/A/MJ/020				
	比例(SCALE)	1/1	圖紙(SIZE)	A4	頁次(SHEET)	1	版次(REV.)	B